



DP-100

PARTS LIST

Published in Feb.'03
843HK120

NOTE

1. Indicate parts number and machine model when placing an order.

eg.	Parts Number	Parts Name	Machine Model	Cycle	Quantity
	3HK04010	COVER F	DP-100	50Hz	1

2. Service calls and freight will be charged separately.

3. Symbols in the "Parts Number" column.

- Parts with "●" indicates the spare parts and the parts without "●" can not be supplied.

4. See the last page of this parts list for the classification of the screws in the illustrations.

Parts List

DP-100

———— CONTENTS ————

FIG.1	EXTERIOR COVERS	2
FIG.2	PAPER FEED SECTION	4
	• INDEX	6

FIG. 1 EXTERIOR COVERS

3HK

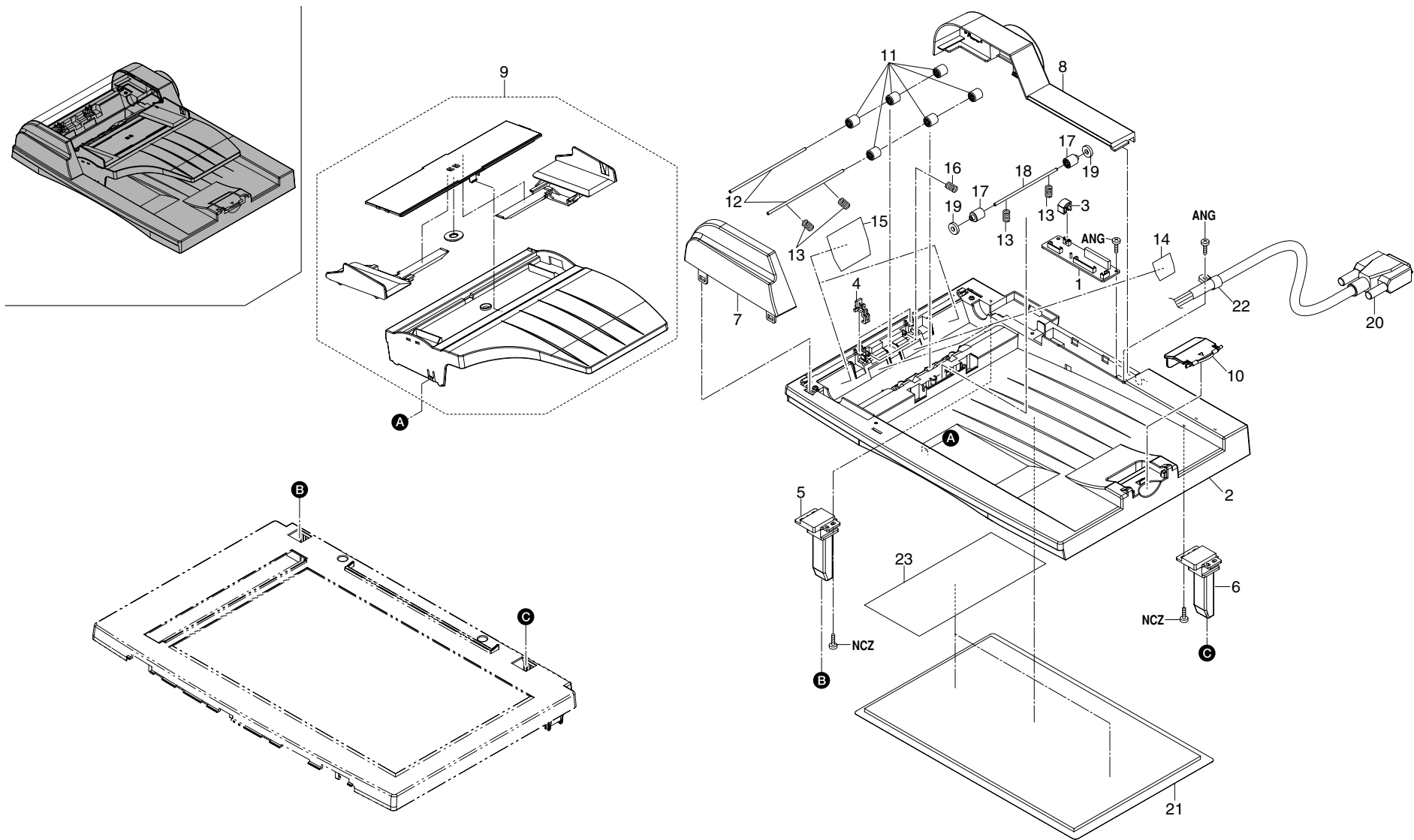


FIG. 1 EXTERIOR COVERS

3HK

SP	Ref. No.	Part. No.	Description	Quantity		
				120V	230V	240V
●	1	3HK01010	DRIVER PCB ASSY	1	1	1
	2	3HK02010	BASE(1/2)	1	1	1
●	3	3HK02030	ACT DP	1	1	1
●	4	3HK02040	LEVER RELEASE	2	2	2
●	5	3HK03010	HINGE L	1	1	1
●	6	3HK03020	HINGE R	1	1	1
●	7	3HK04010	COVER F	1	1	1
●	8	3HK04020	COVER R	1	1	1
●	9	3HK68010	TABLE ASSY	1	1	1
●	10	3HK04050	STOPPER DP	1	1	1
●	11	3HK08040	PULLEY CONV	6	6	6
	12	3HK08050	SHAFT CONV PULLEY	2	2	2
	13	3HK08070	SPRING CONV	4	4	4
●	14	3HK08130	FILM A CONV	2	2	2
●	15	3HK08140	FILM B CONV	2	2	2
	16	3HK08150	SPRING,REGIST	2	2	2
●	17	3HK10030	PULLEY EJECT	2	2	2
	18	3HK10040	SHAFT EJECT PULLEY	1	1	1
●	19	3HK10060	SPONGE EJECT	2	2	2
●	20	3HK27020	CONN.CORD ASSY PCB-INTERFACE	1	1	1
●	21	2DC11020	MAT ORIGINAL HOLDER	1	1	1
	22	M2105030	NYLON CLAMP 5N,NK-5N	1	1	1
	23	2DC11050	TAPE ORIGINAL HOLDER	2	2	2

- Parts with "●" are component parts or sub-assemblies of the assembly appearing immediately above them.
- Parts with "●" indicates the spare parts.

FIG. 2 PAPER FEED SECTION

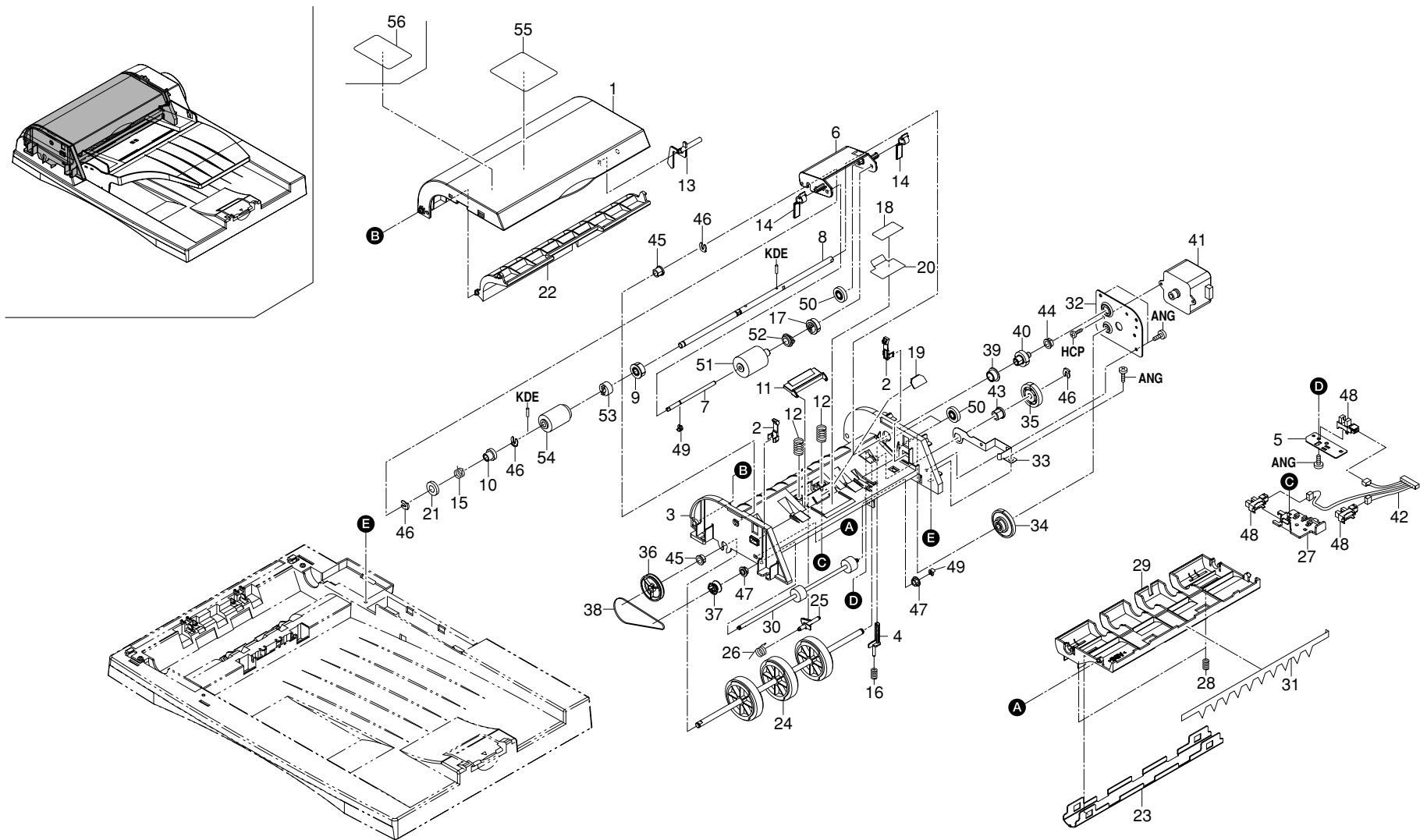


FIG. 2 PAPER FEED SECTION

3HK

SP	Ref. No.	Part. No.	Description	Quantity		
				120V	230V	240V
●	1	3HK04030	COVER PF	1	1	1
●	2	3HK04040	HOOK PF	2	2	2
●	3	3HK07010	HOUSING	1	1	1
●	4	3HK07020	ACT RELEASE	1	1	1
●	5	3HK07030	MNT RELEASE	1	1	1
●	6	3HK07040	HOLDER LF	1	1	1
●	7	3HK07050	SHAFT LF	1	1	1
●	8	3HK07060	SHAFT PF	1	1	1
●	9	3HK07070	GR PF PULLEY	1	1	1
●	10	3HK07080	COLLAR S SPRING	1	1	1
●	11	3HK68020	SEPARATION PAD ASSY	1	1	1
●	12	3HK07110	SPRING PAD	2	2	2
●	13	3HK07120	ACT ORIGINAL	1	1	1
●	14	3HK07130	STOPPER PF	2	2	2
●	15	3HK07140	SPRING LF	1	1	1
●	16	3HK07170	SPRING RELEASE	1	1	1
●	17	3HK07200	GR 18 LF	1	1	1
●	18	3HK07240	FRICTION PLATE LF	1	1	1
●	19	3HK07250	FRONT PAD SEP	1	1	1
●	20	3HK07260	FRONT FILM SEP	1	1	1
●	21	3HK07270	COLLAR PF	1	1	1
●	22	3HK08010	GUIDE CONV	1	1	1
●	23	3HK08020	GUIDE READING	1	1	1
●	24	3HK08030	ROLLER CONV ASSY	1	1	1
●	25	3HK08060	ACT TIMING	1	1	1
●	26	3HK08080	SPRING TIMING	1	1	1
●	27	3HK08110	MNT TIMING SW	1	1	1
●	28	3HK08120	SPRING READING	2	2	2
●	29	3HK10010	GUIDE EJECT	1	1	1
●	30	3HK10020	ROLLER EJECT	1	1	1
●	31	3HK10050	ELIMINATOR	1	1	1
●	32	3HK22010	MNT MOTOR	1	1	1
●	33	3HK22020	GROUND PLATE	1	1	1
●	34	3HK22030	GR 65/16	1	1	1
●	35	3HK22040	GR 33 CONV	1	1	1
●	36	3HK22070	V-PULLEY CONV	1	1	1
●	37	3HK22080	V-PULLEY EJECT	1	1	1
●	38	3HK22090	BELT CONV	1	1	1
●	39	3HK22160	BUSHING PF	1	1	1
●	40	3HK22220	GEAR 20 PF	1	1	1

SP	Ref. No.	Part. No.	Description	Quantity		
				120V	230V	240V
●	41	3HK27010	MOTOR DP	1	1	1
●	42	3HK27030	CONN.CORD ASSY PCB-SENSOR	1	1	1
●	43	29806810	BUSHING,6 REGISTRATION	1	1	1
●	44	2A116180	BUSHING,TRANSFER	1	1	1
●	45	2A806030	BUSH FEED	2	2	2
●	46	2A806250	RING STOPPER	4	4	4
●	47	2A806260	BUSH PULLEY FEED	2	2	2
●	48	2BL27450	SWITCH PI	3	3	3
●	49	2BT11070	STOPPER 3	2	2	2
●	50	35322020	GEAR 20,PAPER FEED DRIVE	3	3	3
●	51	36211110	PULLEY,LEADING FEED ADF	1	1	1
●	52	36211500	GEAR,LEADING FEED JOINT	1	1	1
●	53	3BC07130	ONE-WAY CLUTCH 6	1	1	1
●	54	3BR07040	PULLEY,PAPER FEED	1	1	1
●	55	3HK05020	LABEL CAUTION J	1	1	1
●	56	3HK05030	LABEL CAUTION E	1	1	1

- Parts with "●" are component parts or sub-assemblies of the assembly appearing immediately above them.
- Parts with "●" indicates the spare parts.

INDEX

3HK

SP	Part. No.	Description	Quantity			Fig. No.
			120V	230V	240V	
	2A116180	BUSHING,TRANSFER	1	1	1	2
	2A806030	BUSH FEED	2	2	2	2
●	2A806250	RING STOPPER	4	4	4	2
	2A806260	BUSH PULLEY FEED	2	2	2	2
●	2BL27450	SWITCH PI	3	3	3	2
●	2BT11070	STOPPER 3	2	2	2	2
●	2DC11020	MAT ORIGINAL HOLDER	1	1	1	1
	2DC11050	TAPE ORIGINAL HOLDER	2	2	2	1
	29806810	BUSHING,6 REGISTRATION	1	1	1	2
●	3BC07130	ONE-WAY CLUTCH 6	1	1	1	2
●	3BR07040	PULLEY,PAPER FEED	1	1	1	2
●	3HK01010	DRIVER PCB ASSY	1	1	1	1
	3HK02010	BASE(1/2)	1	1	1	1
●	3HK02030	ACT DP	1	1	1	1
●	3HK02040	LEVER RELEASE	2	2	2	1
●	3HK03010	HINGE L	1	1	1	1
●	3HK03020	HINGE R	1	1	1	1
●	3HK04010	COVER F	1	1	1	1
●	3HK04020	COVER R	1	1	1	1
●	3HK04030	COVER PF	1	1	1	2
●	3HK04040	HOOK PF	2	2	2	2
●	3HK04050	STOPPER DP	1	1	1	1
●	3HK05020	LABEL CAUTION J	1	1	1	2
●	3HK05030	LABEL CAUTION E	1	1	1	2
	3HK07010	HOUSING	1	1	1	2
●	3HK07020	ACT RELEASE	1	1	1	2
	3HK07030	MNT RELEASE	1	1	1	2
	3HK07040	HOLDER LF	1	1	1	2
	3HK07050	SHAFT LF	1	1	1	2
	3HK07060	SHAFT PF	1	1	1	2
●	3HK07070	GR PF PULLEY	1	1	1	2
	3HK07080	COLLAR S SPRING	1	1	1	2
	3HK07110	SPRING PAD	2	2	2	2
●	3HK07120	ACT ORIGINAL	1	1	1	2
●	3HK07130	STOPPER PF	2	2	2	2
●	3HK07140	SPRING LF	1	1	1	2
	3HK07170	SPRING RELEASE	1	1	1	2
●	3HK07200	GR 18 LF	1	1	1	2
●	3HK07240	FRICTION PLATE LF	1	1	1	2
●	3HK07250	FRONT PAD SEP	1	1	1	2

SP	Part. No.	Description	Quantity			Fig. No.
			120V	230V	240V	
●	3HK07260	FRONT FILM SEP	1	1	1	2
●	3HK07270	COLLAR PF	1	1	1	2
	3HK08010	GUIDE CONV	1	1	1	2
●	3HK08020	GUIDE READING	1	1	1	2
●	3HK08030	ROLLER CONV ASSY	1	1	1	2
●	3HK08040	PULLEY CONV	6	6	6	1
	3HK08050	SHAFT CONV PULLEY	2	2	2	1
●	3HK08060	ACT TIMING	1	1	1	2
	3HK08070	SPRING CONV	4	4	4	1
	3HK08080	SPRING TIMING	1	1	1	2
	3HK08110	MNT TIMING SW	1	1	1	2
	3HK08120	SPRING READING	2	2	2	2
●	3HK08130	FILM A CONV	2	2	2	1
●	3HK08140	FILM B CONV	2	2	2	1
	3HK08150	SPRING,REGIST	2	2	2	1
	3HK10010	GUIDE EJECT	1	1	1	2
●	3HK10020	ROLLER EJECT	1	1	1	2
●	3HK10030	PULLEY EJECT	2	2	2	1
	3HK10040	SHAFT EJECT PULLEY	1	1	1	1
●	3HK10050	ELIMINATOR	1	1	1	2
●	3HK10060	SPONGE EJECT	2	2	2	1
	3HK22010	MNT MOTOR	1	1	1	2
	3HK22020	GROUND PLATE	1	1	1	2
●	3HK22030	GR 65/16	1	1	1	2
●	3HK22040	GR 33 CONV	1	1	1	2
●	3HK22070	V-PULLEY CONV	1	1	1	2
●	3HK22080	V-PULLEY EJECT	1	1	1	2
●	3HK22090	BELT CONV	1	1	1	2
●	3HK22160	BUSHING PF	1	1	1	2
●	3HK22220	GEAR 20 PF	1	1	1	2
●	3HK27010	MOTOR DP	1	1	1	2
●	3HK27020	CONN.CORD ASSY PCB-INTERFACE	1	1	1	1
	3HK27030	CONN.CORD ASSY PCB-SENSOR	1	1	1	2
●	3HK68010	TABLE ASSY	1	1	1	2
●	3HK68020	SEPARATION PAD ASSY	1	1	1	2
●	35322020	GEAR 20,PAPER FEED DRIVE	3	3	3	2
●	36211110	PULLEY,LEADING FEED ADF	1	1	1	2
●	36211500	GEAR,LEADING FEED JOINT	1	1	1	2
	M2105030	NYLON CLAMP 5N,NK-5N	1	1	1	1

• Parts with "●" indicates the spare parts.

CLASSIFICATION OF THE SCREWS IN ILLUSTRATION

<u>REF.</u>	<u>ITEM #</u>	<u>DESCRIPTION</u>
ANG	B4073080	TRIPLE TAP-TITE B SCREW M3X8
HCP	B4003060	TRIPLE SEREW M3X6
KDE	E1120100	SPRING PIN M2 X 10 SUS-DP XX
NCZ	B4213100	TRIPLE SCREW M3X10(UNICRO)

KYOCERA MITA EUROPE B.V.

Hoeksteen 40, 2132 MS Hoofddorp,
The Netherlands
Phone: +31.(0)20.654.000
Home page: <http://www.kyoceramita-europe.com>
Email: info@kyoceramita-europe.com

KYOCERA MITA NEDERLAND B.V.

Hoeksteen 40 2132 MS Hoofddorp
The Netherlands
Phone: +31.(0)20.587.7200

KYOCERA MITA (UK) LTD.

8 Beacontree Plaza
Gillette Way,
Reading Berks RG2 0BS, UK
Phone: +44.(0)118.931.1500

KYOCERA MITA ITALIA S.P.A.

Via Verdi 89 / 91 20063 Cernusco sul Naviglio,
Italy
Phone: +39.02.92179.1

S.A. KYOCERA MITA BELGIUM N.V.

Hermesstraat 8A 1930 Zaventem Belgium
Phone: +32.(0)2.720.9270

KYOCERA MITA FRANCE S.A.

Parc Les Algorithmes
Saint Aubin
91194 GIF-SUR-YVETTE
France
Phone: +33.(0)1.6985.2600

KYOCERA MITA ESPAÑA S.A.

Edificio Kyocera, Avda de Manacor N. 2,
Urb. Parque Rozas 28290 Las Rozas,
Madrid, Spain
Phone: +34.(0)91.631.8392

KYOCERA MITA FINLAND OY

Kirvesmiehenkatu 4 00810 Helsinki,
Finland
Phone: +358.(0)9.4780.5200

KYOCERA MITA (SCHWEIZ) AG

Holzliwisen Industriestrasse 28
8604 Volketswil, Switzerland
Phone: +41.(0)1.908.4949

KYOCERA MITA DEUTSCHLAND GMBH

Mollsfeld 12 D-40670 Meerbusch,
Germany
Phone: +49.(0)2159.918.0

KYOCERA MITA GMBH AUSTRIA

Eduard-Kittenberger Gasse 95
1230 Wien, Austria
Phone: +43.(0)1.86338.0

KYOCERA MITA SVENSKA AB

Box 1402 171 27 Solna, Sweden
Phone: +46.(0)8.546.550.00

KYOCERA MITA NORGE

Postboks 150 Oppsal, NO 0619 Oslo
Olaf Helsetsvet 6, NO 0694 Oslo
Phone: +47.(0)22.62.73.00

KYOCERA MITA DANMARK A/S

Hovedkontor: Slotsmarken 11,
DK-2970 Hørsholm, Denmark
Phone: +45.(70)22.3880

KYOCERA MITA PORTUGAL LDA.

Rua de Campolide 55-5° Dt° 1070-029
Lisboa, Portugal
Phone: +351.(0)21.032.0900

KYOCERA MITA SOUTH AFRICA (PTY) LTD.

527 Kyalami Boulevard,
Kyalami Business Park 1685 Midrand South
Phone: +27.(0)11.466.3290

KYOCERA MITA AMERICA, INC.

Headquarters:
225 Sand Road, P.O. Box 40008,
Fairfield, New Jersey 07004-0008,
U.S.A.
Phone: (973) 808-8444

KYOCERA MITA AUSTRALIA PTY. LTD.

Level 3, 6-10 Talavera Road, North Ryde,
N.S.W. 2113 Australia
Phone: (02) 9888-9999

KYOCERA MITA NEW ZEALAND LTD.

1-3 Parkhead Place, Albany
P.O. Box 302 125 NHPC, Auckland,
New Zealand
Phone: (09) 415-4517

KYOCERA MITA (THAILAND) CORP., LTD.

9/209 Ratchada-Prachachem Road,
Bang Sue, Bangkok 10800, Thailand
Phone: (02) 586-0320

KYOCERA MITA SINGAPORE PTE LTD.

121 Genting Lane, 3rd Level,
Singapore 349572
Phone: 67418733

KYOCERA MITA HONG KONG LIMITED

11/F., Mita Centre,
552-566, Castle Peak Road,
Tsuen Wan, New Territories,
Hong Kong
Phone: 24297422

KYOCERA MITA TAIWAN CORPORATION

7F-1~2, No.41, Lane 221, Gangchi Rd.
Neihu District, Taipei, Taiwan, 114. R.O.C.
Phone: (02) 87511560

KYOCERA MITA CORPORATION

2-28, 1-chome, Tamatsukuri, Chuo-ku
Osaka 540-8585, Japan
Phone: (06) 6764-3555
<http://www.kyoceramita.com>

© 2003 KYOCERA MITA CORPORATION

 is a trademark of Kyocera Corporation

mita is a registered trademark of KYOCERA MITA CORPORATION

Printed in Holland